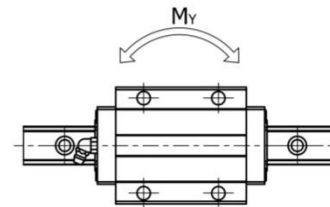
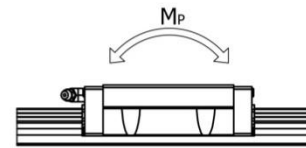
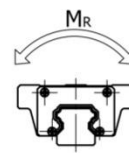
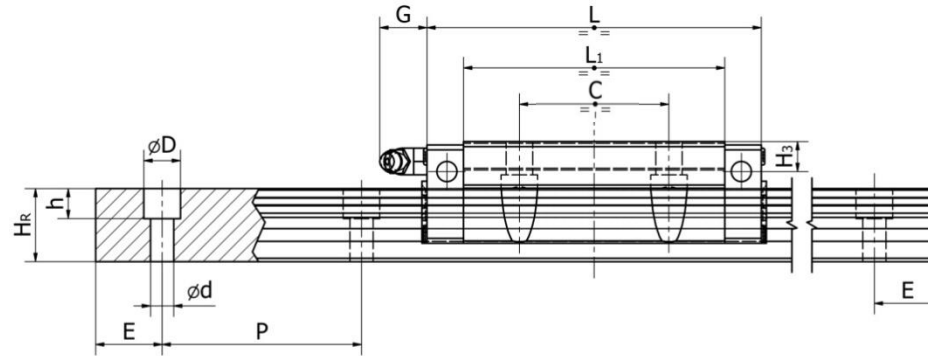
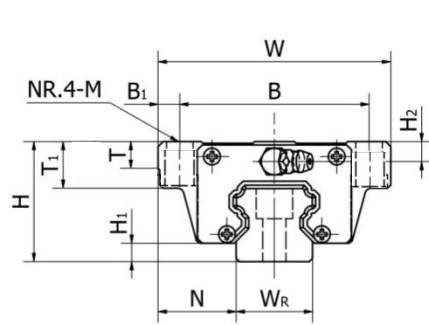




IBL Linear Guide



MODEL	H	H ₁	N	W	B	B ₁	C	L ₁	L	G	M	T	T ₁	H ₂	H ₃	W _R	H _R	D	h	d	P	Load (kN)	M _R (kN*m)	M _R (kN*m)	M _R (kN*m)
HGW25HA	36	5.5	23.5	70	57	6.5	45	78.6	104.6	12	M8	8	14	6	5	23	22	11	9	7	60	8.44	0.112	0.114	0.114

Unit mm.