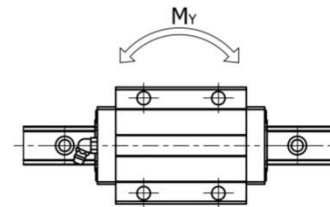
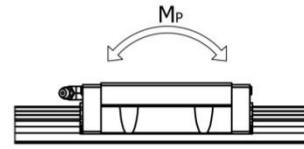
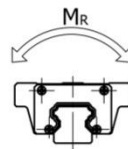
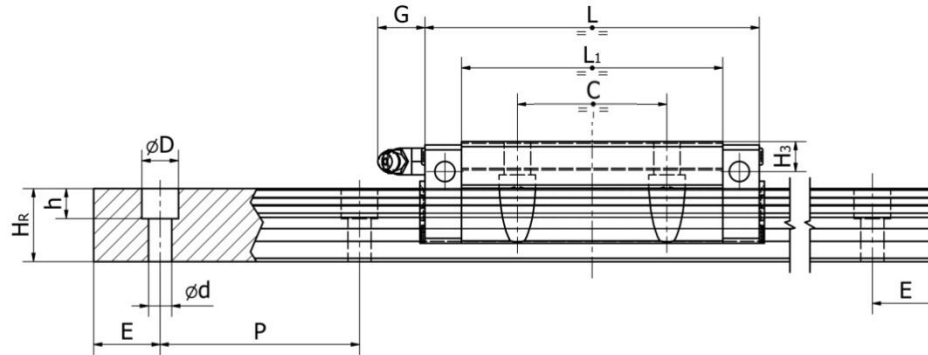
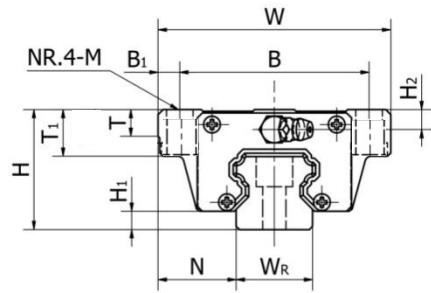




IBL Linear Guide



MODEL	H	H ₁	N	W	B	B ₁	C	L ₁	L	G	M	T	T ₁	H ₂	H ₃	W _R	H _R	D	h	d	P	Load (kN)	M _R (kN*m)	M _R (kN*m)	M _R (kN*m)
HGW20HA	30	4.6	21.5	63	53	5	40	65.2	92.2	12	M6	8	10	6	6	20	17.5	9.5	8.5	6	60	6.54	0.070	0.070	0.070

Unit mm.